

The Bathroom Solution



Corian® Basins & Washplanes

dyson airblade tap



1

The Bathroom Solution

04 Background

2

Design Solutions

08 Undermount

10 Top Mount

12 Washplanes

3

The Bathroom Solution: Case Studies

14 TaiKoo Hui

16 The Shard

4

Dyson Airblade Tap hand dryer: Technical Overview

18 How it Works

26 AB11 Wall

20 Benefits

27 AB10 Long

24 Technology

28 AB09 Short

5

Corian® Basins & Washplanes: Technical Overview

32 Technical Details Top Mount

36 Technical Details Undermount

44 Technical Details Washplane

Corian® basins & washplanes with Dyson Airblade Tap hand dryer, working perfectly together

“Dyson solve the problems that others seem to ignore”
James Dyson, Chief Engineer.

Whilst Dyson were solving the issues with bathrooms, CASF with their collection of Corian® basins & washplanes were solving another; how to contain the power and technology that Dyson were creating in the most beautiful way possible.

The result is a range of products that are designed to work hand-in-hand, technically and aesthetically. In short, this is 'The Bathroom Solution'.



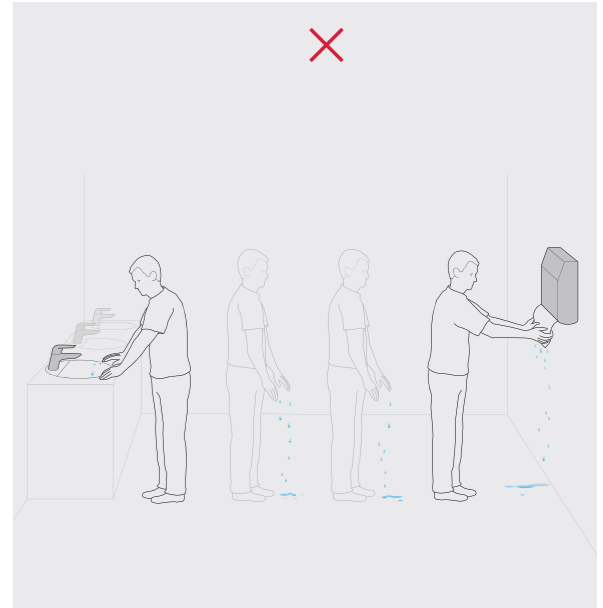
Two innovative companies, one common goal.

Occasionally, the collaboration of two iconic brands creates a solution which is greater than the sum of the parts; they are simply meant to be together.

Whilst this collaboration started out of necessity, it has strengthened through the pursuit of a common goal. Corian® basins and washplanes have been designed to work perfectly with the Dyson Airblade Tap hand dryer and together produce an exciting bathroom solution.

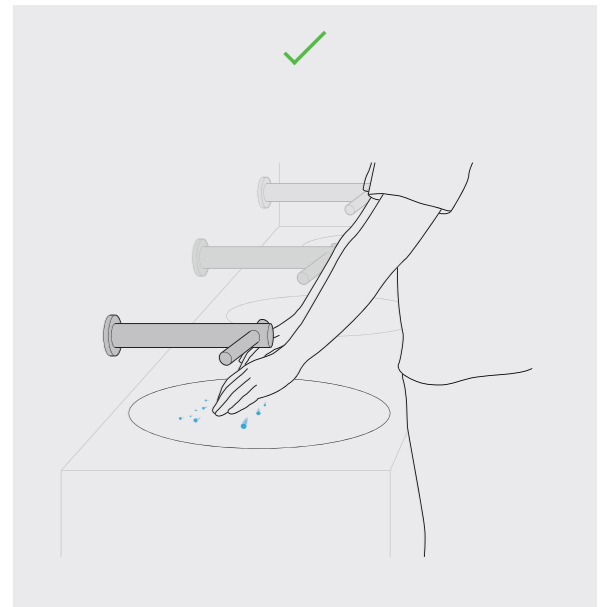
Water on the floor

When using conventional drying methods, you move to a separate area to dry hands. Water is often dripped on the floor, which can create problems in the bathroom. Floor tiles can become slippery, and bathroom floors need cleaning more regularly.



Water in the basin

With the Dyson Airblade Tap hand dryer, water isn't dripped on the floor because you don't need to leave the basin with wet hands. Combined with the custom designed Corian® basin and washplane collection, the Dyson Airblade Taps work perfectly to provide a beautiful, low maintenance, cost effective bathroom solution.



State-of-the-art: a very accurate description

Corian®

Corian® is made by DuPont™. Which is a clever, unique blend of natural materials, pigments and acrylic resin.

Each basin & washplane is manufactured from solid Corian® sheets and due to the nature of the material, these basins can be seamlessly integrated into Corian® bathroom surfaces, creating perfect facilities that are strong, beautiful and hygienic.

Dyson

With airblade technology in a tap, hands are dried at the basin or washplane in 12 seconds. There is no need to move to a separate drying area.

Both water and air are sensor operated, so there are no taps to turn or buttons to touch. Intelligent infrared sensors emit light to pinpoint hand positions. Computer circuitry coordinates the information and initiates the appropriate response of water or air without long delays.

Corian® top mount basin



Design Solutions

Undermount



2

The pure, elegant forms of undermount Corian® basins, integrate seamlessly into a Corian® benchtop, creating a beautiful design solution for public bathrooms. This collection of undermount Corian® basins has been designed to work perfectly with the wall and short stem Dyson Airblades Taps.

Undermount Basins & Airblade Tap Options

810



815



7520



7220



7110



7410



7310



304



Design Solutions

Top Mount



Top Mount Basins

306



315



202



602



Corian® basins and Dyson Airblade™ Tap hand dryers are the solution whatever the bathroom; from high-use to high impact designs. The new collection of Top Mount Corian® basins have been designed to work effortlessly with the Long and Wall mount Dyson Airblade Taps.

Design Solutions

Washplane



Washplanes

3224



3144



3214



The new all in one Corian® washplane design, complimented by the Dyson AirBlade Tap means dealing with high traffic is easy. Visitors can wash and dry their hands at the same location, shortening the overall time spent in the bathroom. This also leads to reducing cross over traffic, which in turn ensures a cleaner, drier floor. It also provides a lower operating cost of the space, by eliminating the need for paper towel waste; all this with three new beautiful designs, ranging from 1–5 person options.

The heart of one of the most incredible bathrooms created

This bathroom is expressed as a bright grotto, a contemporary abstraction of nature. The commercial building surrounding this area receives thousands of visitors each day, which meant that dealing with high traffic had to be a priority, without compromising the design aesthetic. Dyson Airblade Tap hand dryers were met with sweeping curved sheets of seamless Corian®. The unique curves of the design result in a solution that is both beautiful and hygienic.

Location: Guangzhou, China
Architect/Designer: Ida & Billy Architects Ltd.
Client: TaiKoo Hui properties

3



Cutting-edge design with advanced technology solutions

For this iconic landmark building in Central London, it was essential for the bathrooms to reflect the innovative nature of The Shard, whilst leaving a lasting impression on the visitors. This was achieved with The Bathroom Solution; Corian® undermount basins provide the highly durable sleek style that works impeccably with the impressive Dyson Airblade Tap hand dryers.

Location: The Shard, London
Architects: Pringle, Richards Sharratt
Corian® Fabricator: Washroom Washroom Ltd.



How it Works

Benefits

Technology

4

**This solution is so advanced,
it is simplicity itself**

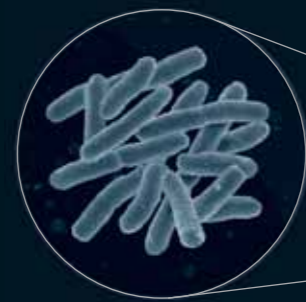
With Airblade™ technology in a tap, hands are dried at the basin in 12 seconds. There's no need to move to a separate drying area.

Both water and air are sensor operated, so there are no taps to turn or buttons to touch. Intelligent infrared sensors emit light to pinpoint hand positions. Computer circuitry coordinates the information and initiates the appropriate response of water or air without long delays.

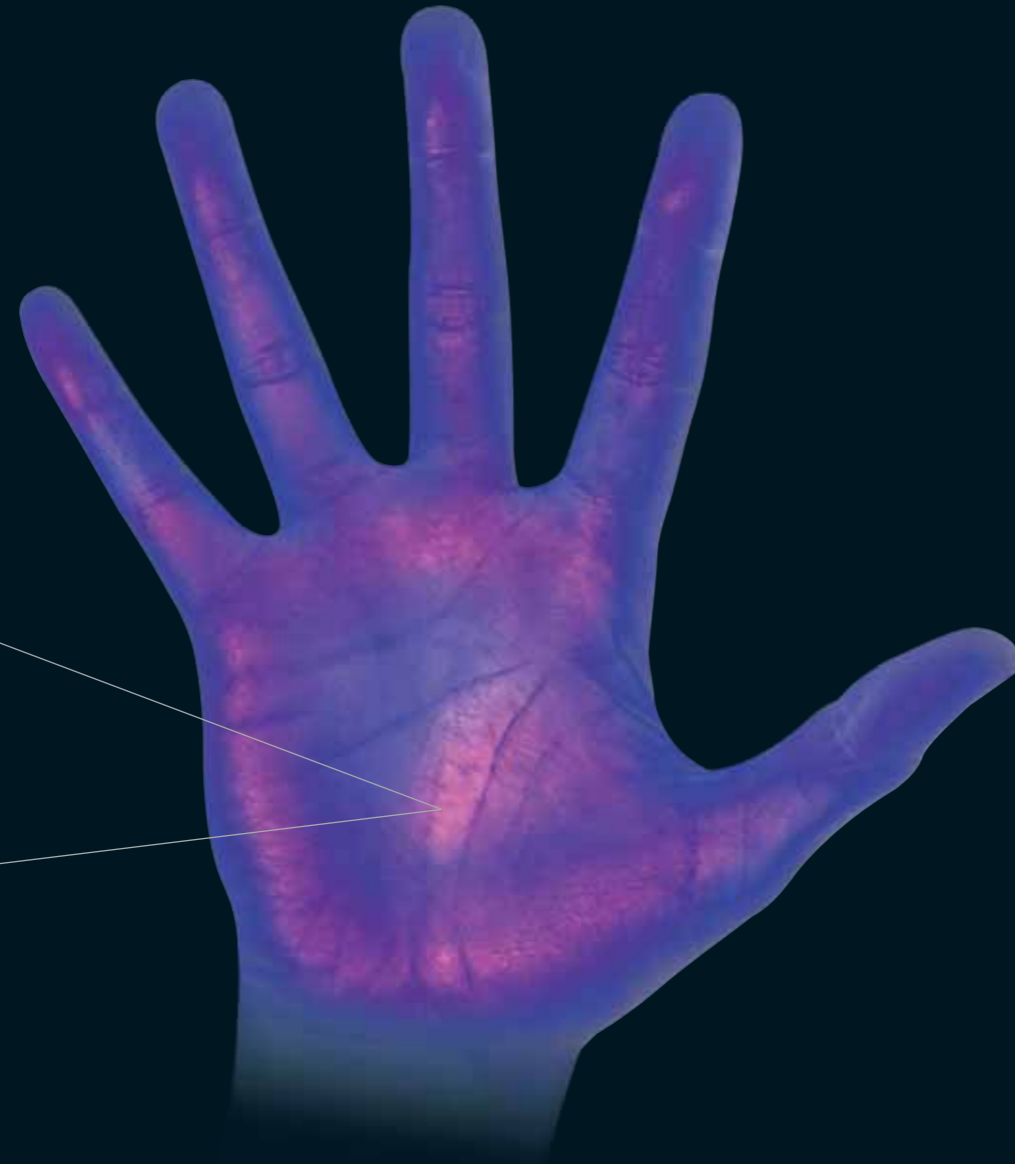


The reasons why Airblade™ technology is fast and hygienic

- Dyson digital motor V4.
- HEPA filter.
- 12 second dry time.
- No drain tank.
- No heating element.
- Touch-free operation.



Damp hands can spread up to 1,000 times more bacteria than dry hands.



Hygienically drying hands is as important as washing them

Bacteria and viruses deposited by hands onto surfaces can survive for several hours. When others touch these contaminated surfaces, they can be transferred. Damp hands can spread up to 1,000 times more bacteria than dry hands. It's why it's important that hands are dried properly.

The most hygienic hand dryer

The Dyson Airblade Tap hand dryer uses a HEPA filter. 99.9% of particles the size of bacteria are captured. So hands are dried in 12 seconds using cleaner air, not dirty air.



High impact on the environment

The Dyson Airblade Tap hand dryer produces 74% less CO2 than some other hand dryers and 71% less than paper towels.*



13.9g

CO2 per day*



15.6g

CO2 per day*



8.0g

CO2 per day*



Low impact on the environment

The Dyson Airblade Tap hand dryer has a lower environmental impact across measures including carbon emissions and energy consumption.*



4.0g

CO2 per day*



5 year guarantee Unrivalled service

The Dyson Airblade hand dryers are engineered to last. They have been repeatedly tested for durability and resilience to physical abuse. They have also been exposed to real-life environments to ensure that they can withstand the pressures of high usage.

Guarantee

Thanks to this rigorous testing regime, all factory parts on the Dyson Airblade™ hand dryers are guaranteed against original defects in materials and workmanship for 5 years.

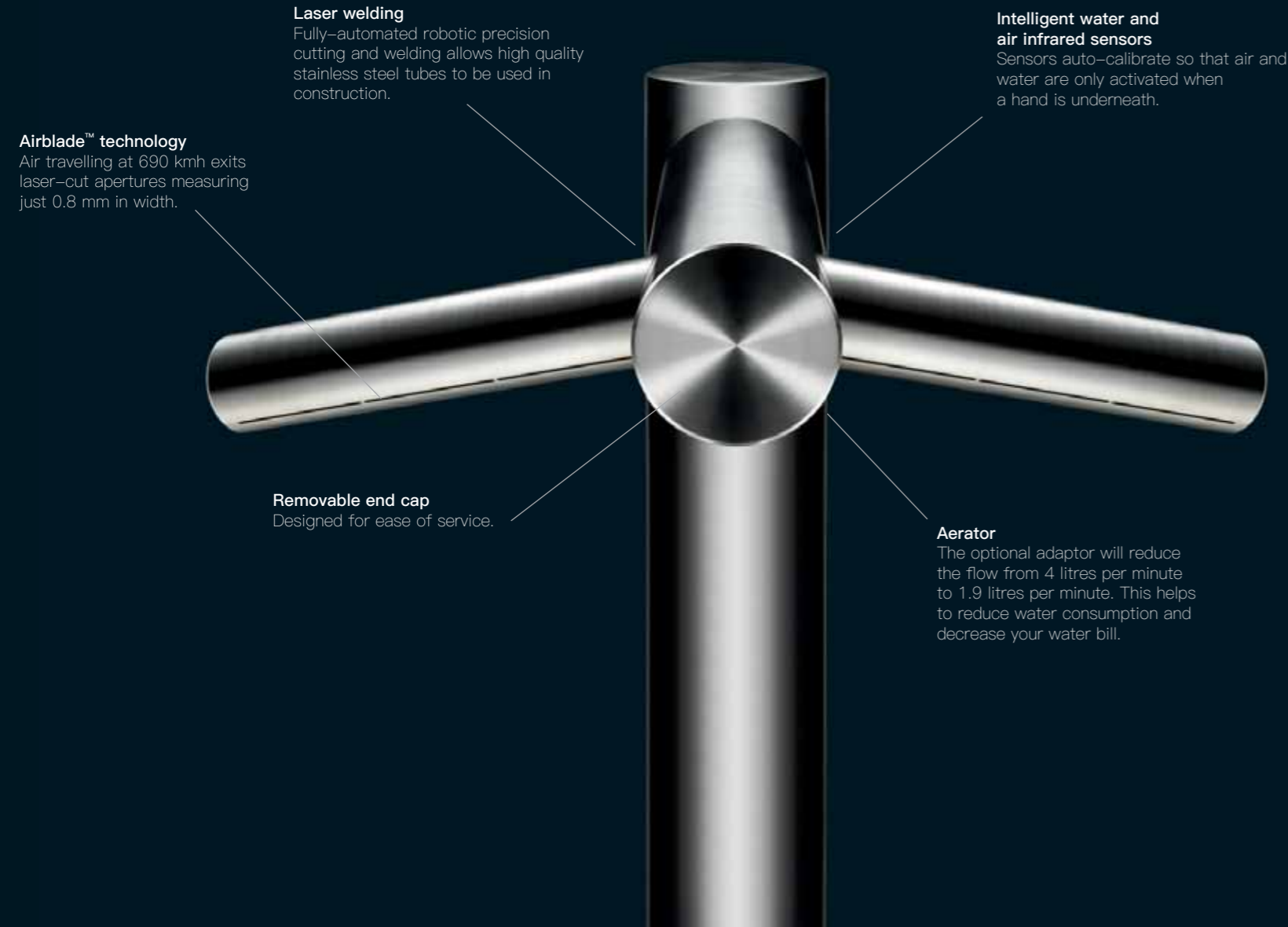
Aftersales support

If anything does go wrong with your machine, we provide repair and maintenance support through Dyson service engineers and self-service spare parts. Reducing downtime and disruption to your facilities.

Dyson Airblade Tap hand dryer 5 year parts and labour

*In collaboration with Carbon Trust, Dyson has produced a method to measure the environmental impact of electrical appliances and paper towels. The carbon calculations were produced using GaBi software provided by PE International, based on product use over 5 years and using the US as a representative country of use. Dry times for products were evaluated using DTM 769.

Inside The Dyson Airblade Tap hand dryer



Laser welding
Fully-automated robotic precision cutting and welding allows high quality stainless steel tubes to be used in construction.

Intelligent water and air infrared sensors
Sensors auto-calibrate so that air and water are only activated when a hand is underneath.

Airblade™ technology
Air travelling at 690 kmh exits laser-cut apertures measuring just 0.8 mm in width.

Removable end cap
Designed for ease of service.

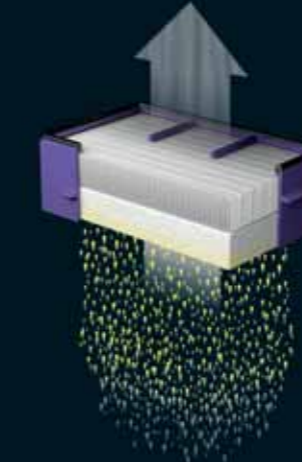
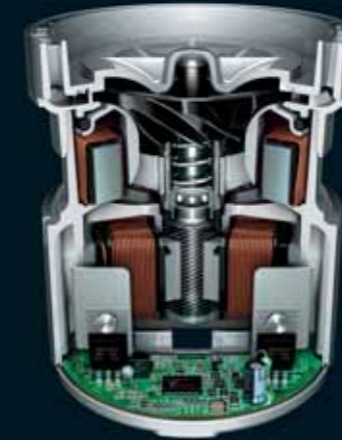
Aerator
The optional adaptor will reduce the flow from 4 litres per minute to 1.9 litres per minute. This helps to reduce water consumption and decrease your water bill.

Dyson digital motor V4

+ HEPA filter

+ Airblade™ technology

= The fastest over basin hand dryer



Dyson digital motor V4

Conventional motors are bulky, slow and can be inefficient. They also rely on carbon brushes, which wear out over time. The Dyson digital motor V4 is different. It's one of the world's smallest fully integrated 1600W motors and instead of old-fashioned carbon brushes, it uses digital pulse technology to spin up to three times faster than a conventional motor.

HEPA filter

Bacteria and viruses in washrooms can cause colds, flu, sickness and diarrhoea. The Dyson Airblade™ hand dryers have HEPA filters installed as standard, which capture 99.9% of bacteria and viruses in the washroom air. So hands are dried with cleaner air, not dirty air.

Airblade™ technology

Every second, the Dyson digital motor V4 draws in up to 35 litres of air through a HEPA filter, and forces it through apertures just 0.8 mm wide. The result — 430 mph sheets of filtered air that scrape water from hands, drying them quickly and hygienically.

No other hand dryer has this technology

AB11 Wall

Tap dimensions

Length 312 mm Width 297 mm

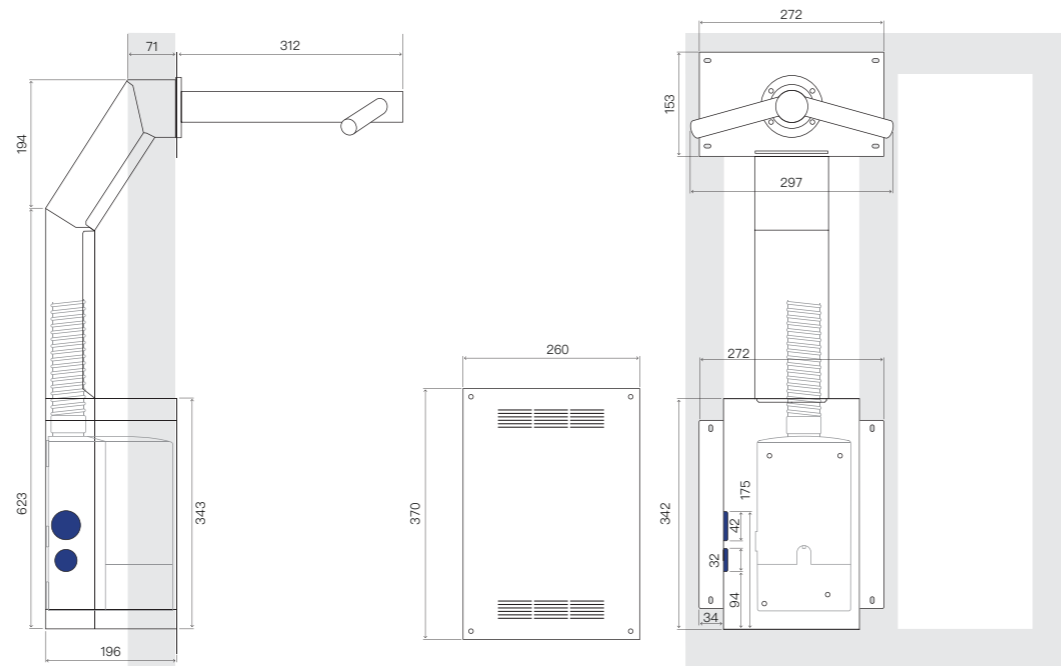
Motor bucket dimensions

Height 266 mm Width 142 mm
Depth 189 mm

Minimum clearance

100 mm clearance from floor

The AB11 Wall Tap is designed so the motor unit is located behind the stud wall. It is supplied with a metal enclosure which needs to be assembled into the stud work behind the wall.



AB10 Long

Tap dimensions

Height 309 mm Width 297 mm
Depth 286 mm

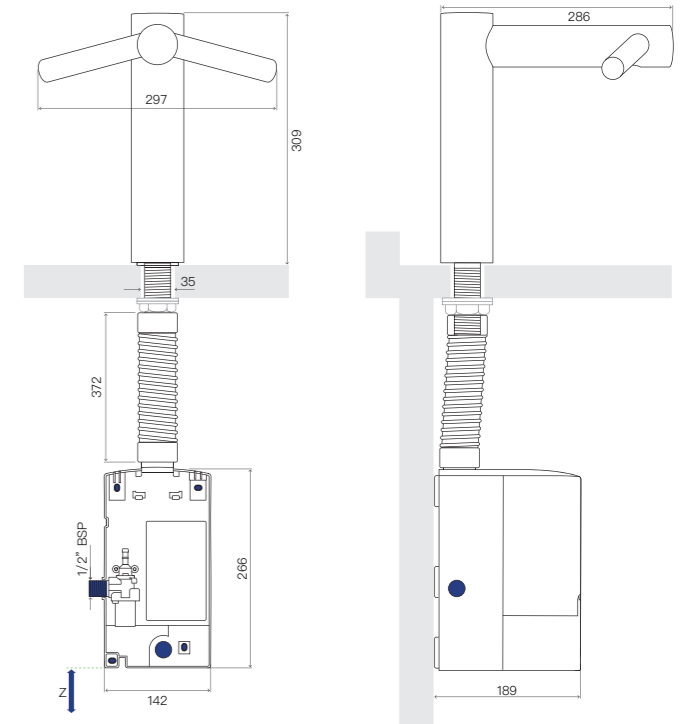
Motor bucket dimensions

Height 266 mm Width 142 mm
Depth 189 mm

Minimum clearance

100 mm clearance from floor

Motor bucket must be installed below the basin, upright or on its side.



AB09 Short



Tap dimensions

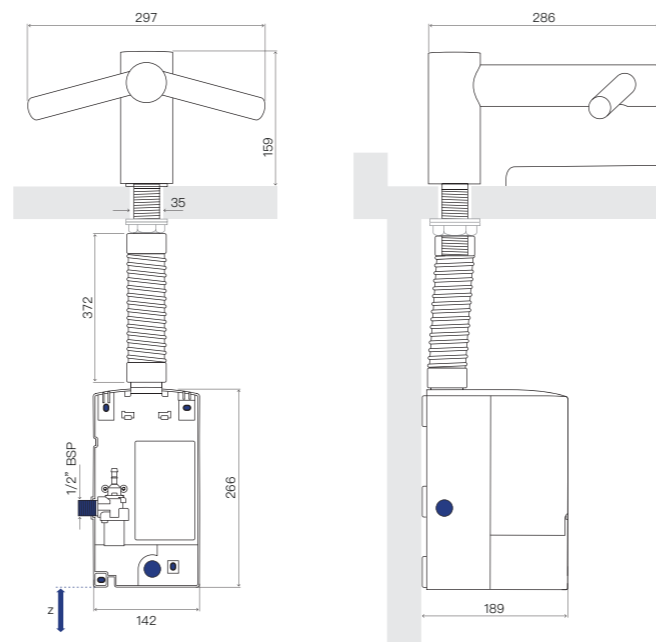
Height 159 mm
Width 297 mm
Depth 286 mm

Motor bucket dimensions

Height 266 mm
Width 142 mm
Depth 189 mm

Minimum clearance

100 mm clearance from floor



5



Model 306**External dimensions**

600 x 445mm

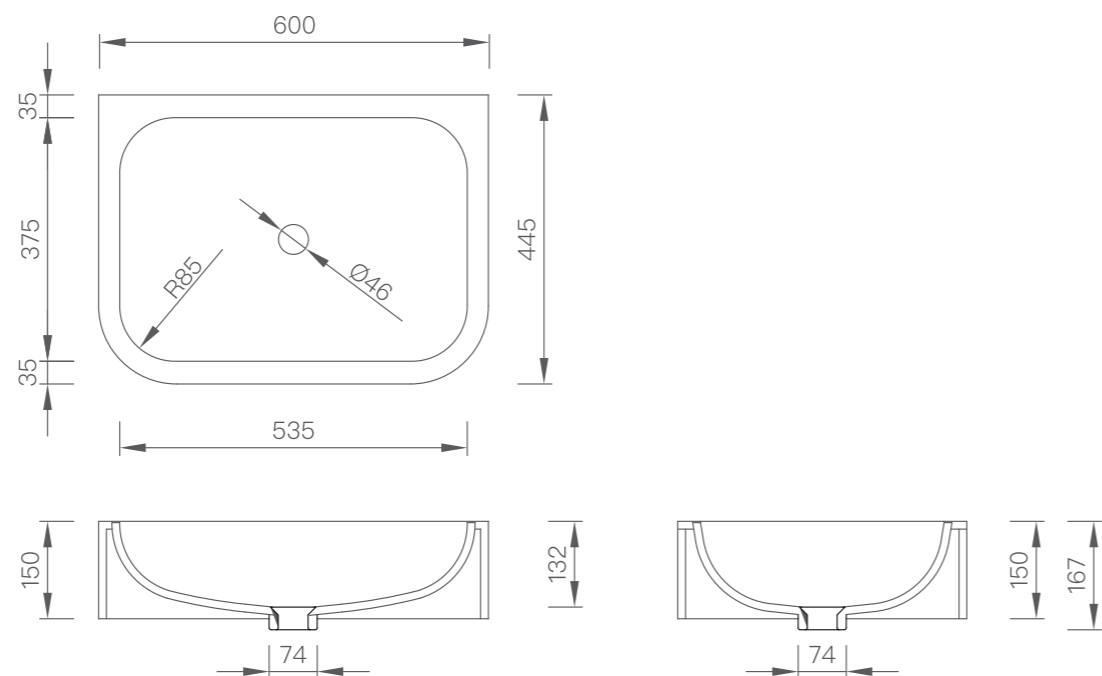
Internal size

535 x 375 x 132mm

Dyson Airblade Tap hand dryer compatibility

AB10 AB11

No overflow



Top Mount Basin

Model 315**External dimensions**

600 x 445mm

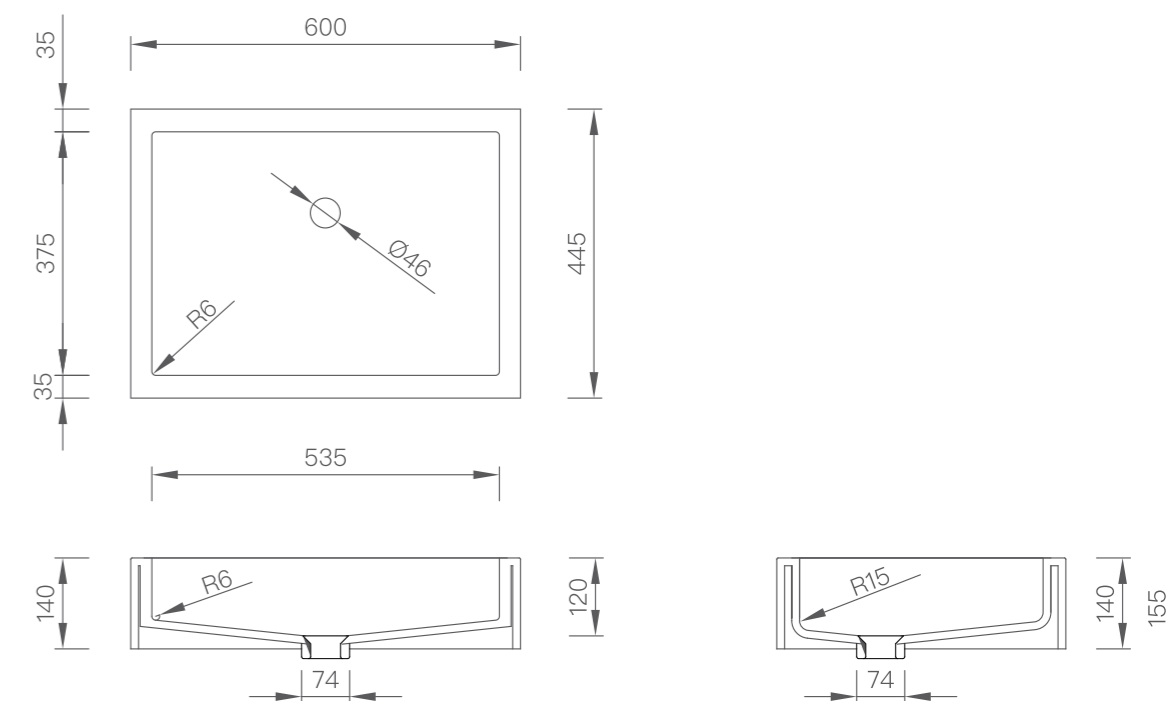
Internal size

535 x 375 x 120mm

Dyson Airblade Tap hand dryer compatibility

AB10 AB11

No overflow



Top Mount Basin

Model 202**External dimensions**

448 x 448mm

Internal size

400 x 400 x 125mm

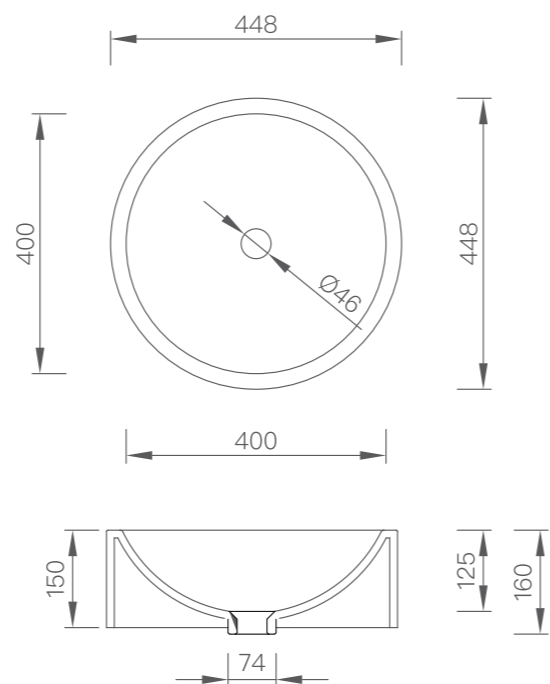
Dyson Airblade Tap hand dryer compatibility

AB10 AB11

No overflow



Top Mount Basin

**Model 602****External dimensions**

600 x 350mm

Internal size

576 x 326 x 131mm

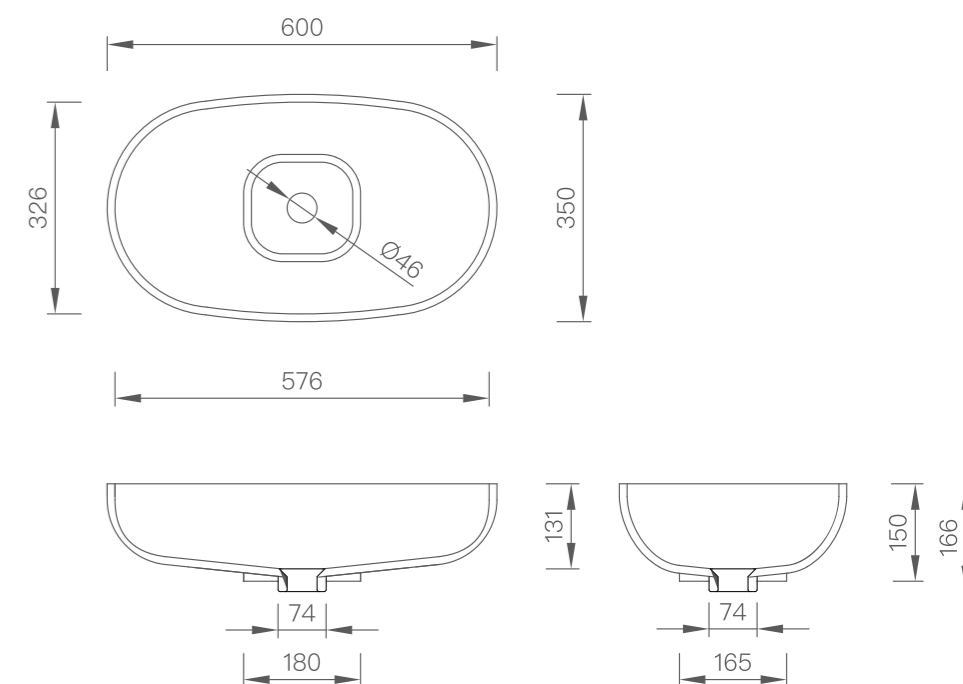
Dyson Airblade Tap hand dryer compatibility

AB10 AB11

No overflow



Top Mount Basin



Model 810**External dimensions**

469 x 383mm

Internal size

418 x 332 x 138mm

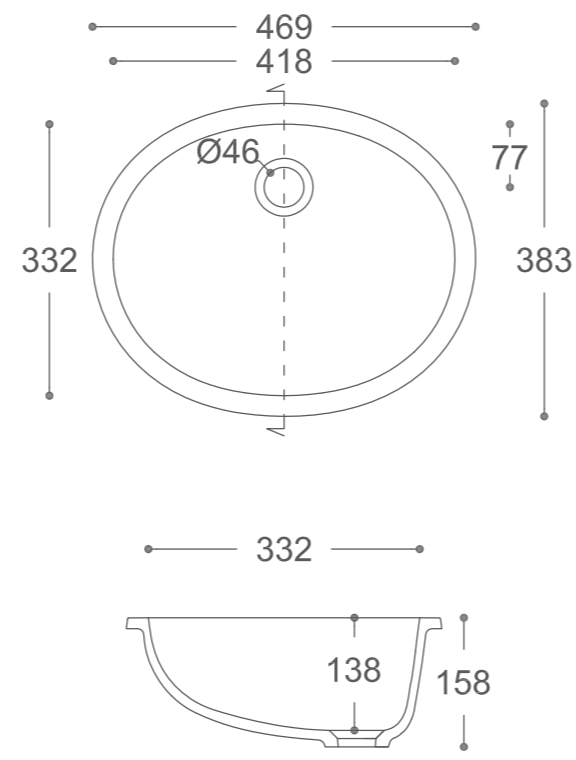
Dyson Airblade Tap hand dryer compatibility

AB09 AB11

With overflow



Undermount Basin

**Model 815****External dimensions**

571 x 418mm

Internal size

520 x 367 x 158mm

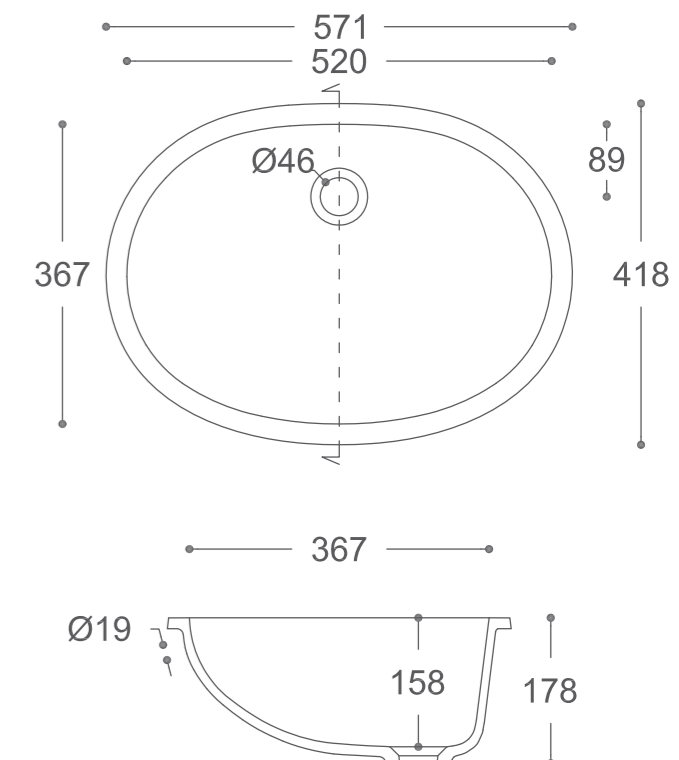
Dyson Airblade Tap hand dryer compatibility

AB09 AB11

With overflow



Undermount Basin



Model 7520**External dimensions**

520 x 370mm

Internal size

470 x 320 x 130mm

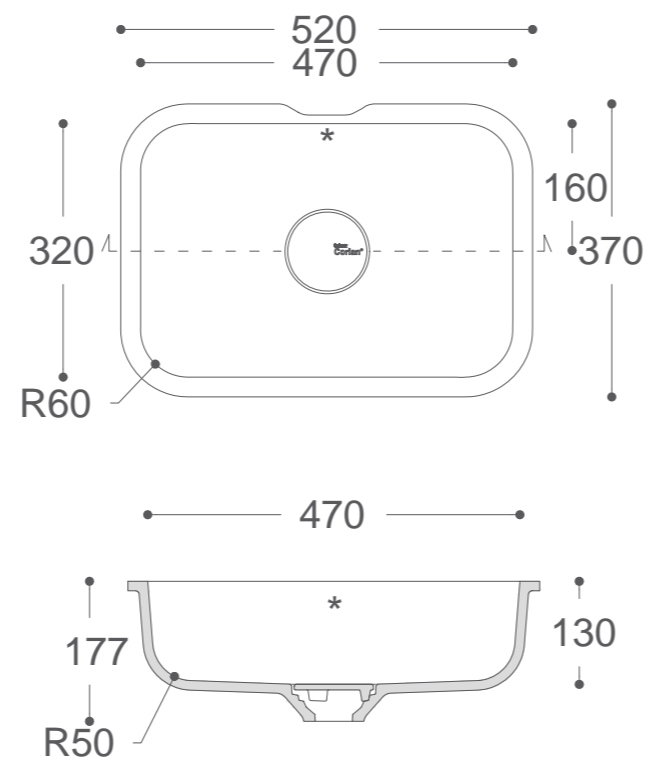
Dyson Airblade Tap hand dryer compatibility

AB09 AB11

With overflow



Undermount Basin

**Model 7220****External dimensions**

450 x 443mm

Internal size

400 x 400 x 140mm

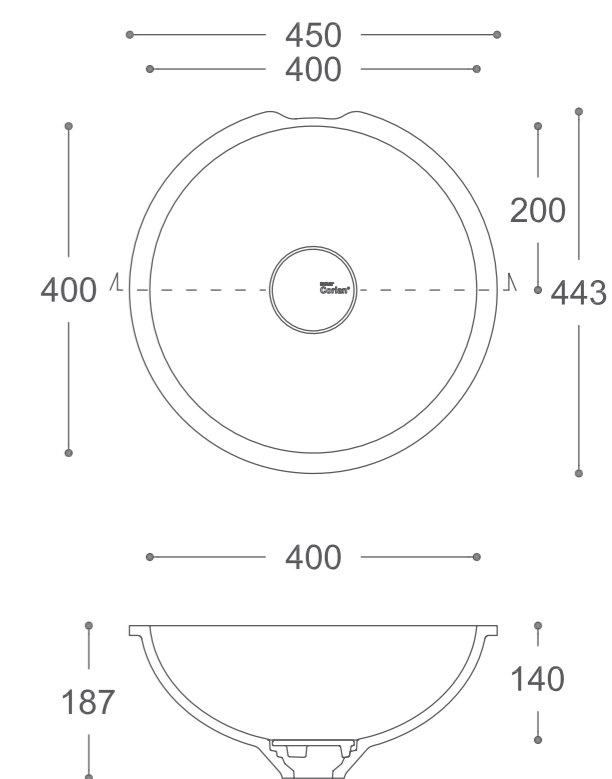
Dyson Airblade Tap hand dryer compatibility

AB09 AB11

With overflow



Undermount Basin



Model 7110**External dimensions**

500 x 350mm

Internal size

450 x 300 x 115mm

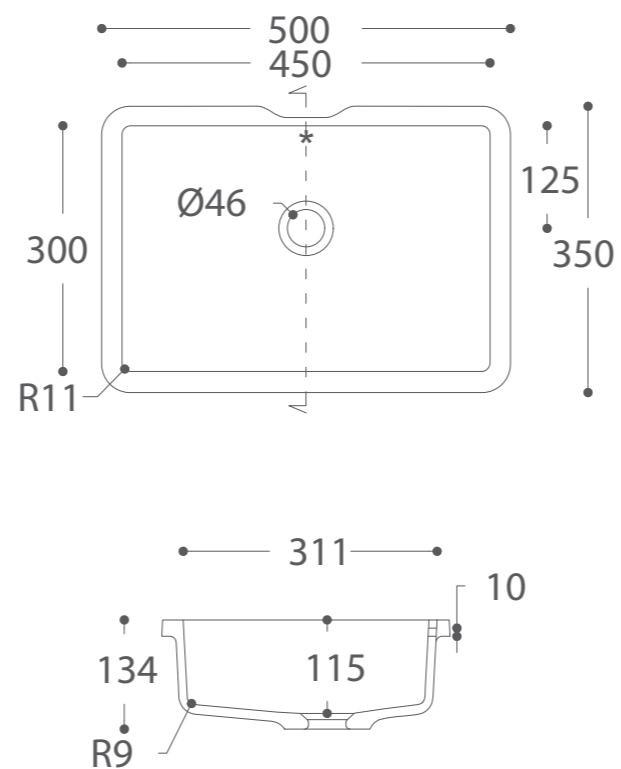
Dyson Airblade Tap hand dryer compatibility

AB09 AB11

With overflow



Undermount Basin

**Model 304****External dimensions**

522 x 296mm

Internal size

522 x 296 x 105mm

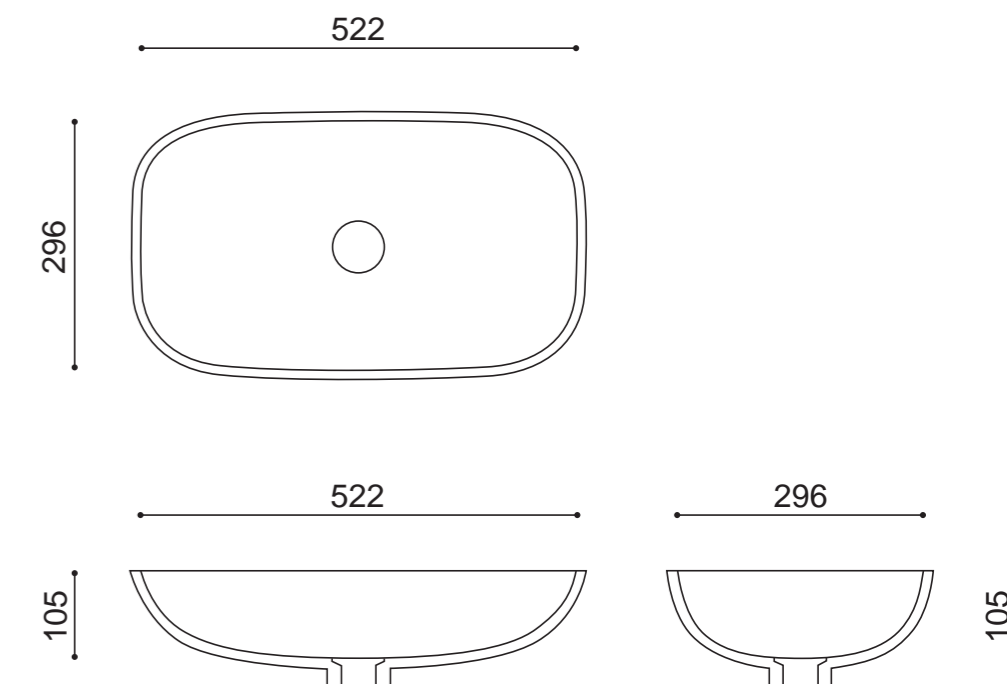
Dyson Airblade Tap hand dryer compatibility

AB09 AB11

With overflow



Undermount Basin



Model 7310

External dimensions

470 x 374mm

Internal size

420 x 330 x 120mm

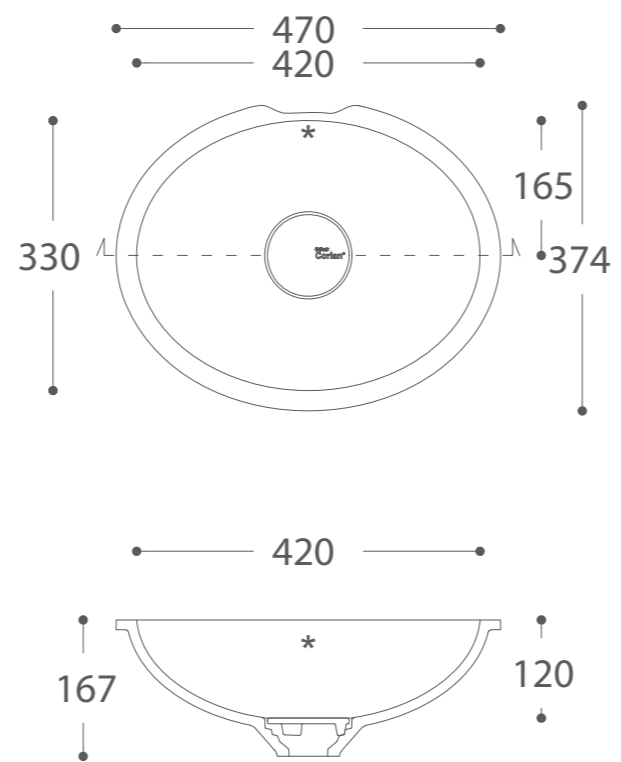
Dyson Airblade Tap hand dryer compatibility

AB09 AB11

With overflow



Undermount Basin



Model 7410

External dimensions

560 x 370mm

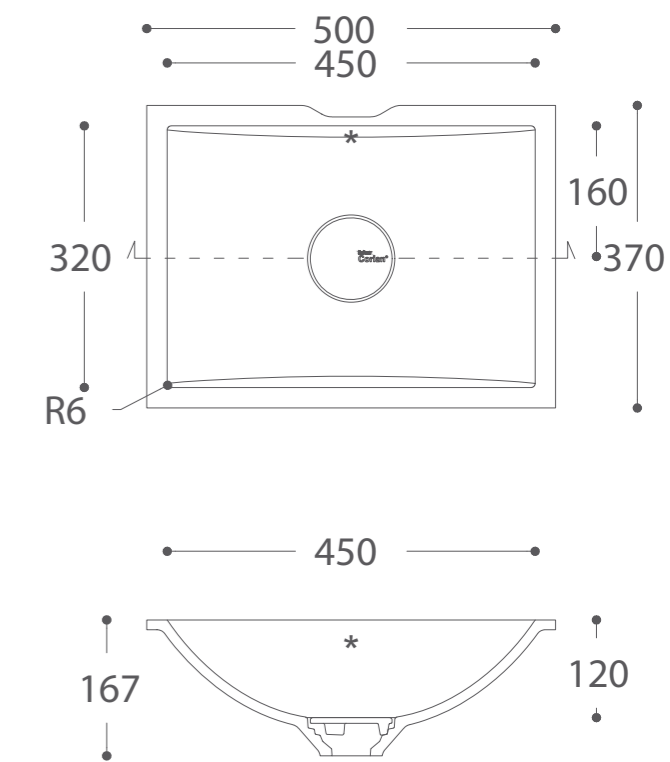
Internal size

450 x 320 x 120mm

Dyson Airblade Tap hand dryer compatibility

AB09 AB11

With overflow



Model 3224

Washplane

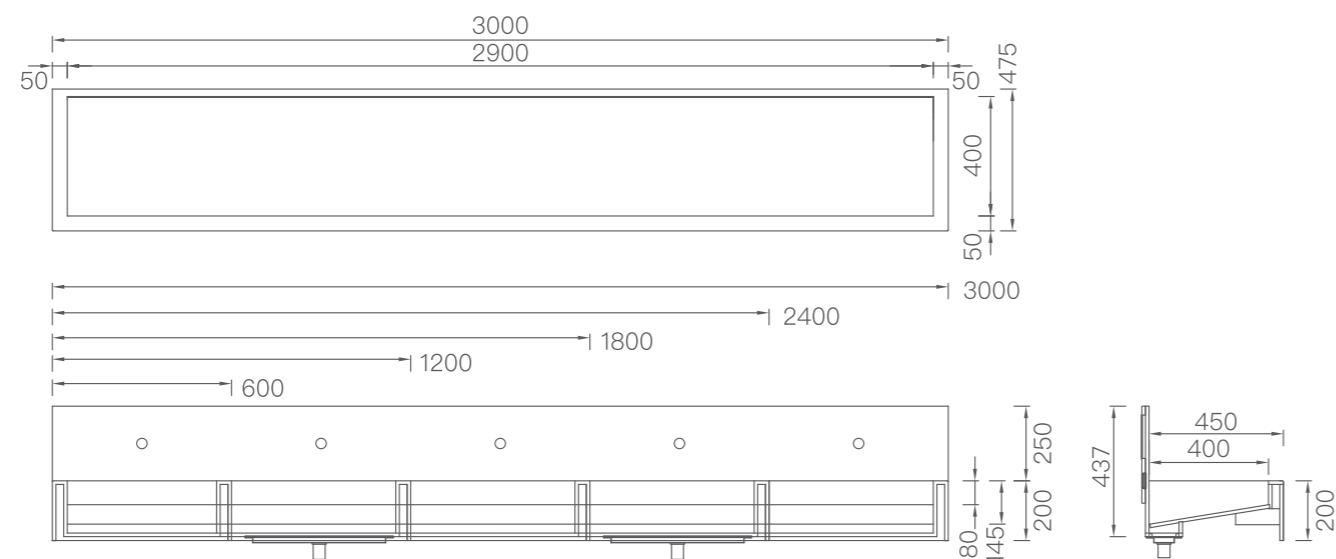
External dimensions

- 1 – Person (3221) 600 x 475mm (39kg)
- 2 – Person (3222) 1200 x 475mm (60kg)
- 3 – Person (3223) 1800 x 475mm (82kg)
- 4 – Person (3224) 2400 x 475mm (103kg)
- 5 – Person (3225) 3000 x 475mm (125kg)

Brackets and fittings for wall-hung installation all included

Dyson Airblade Tap hand dryer compatibility

AB11



Model 3214

Washplane

External dimensions

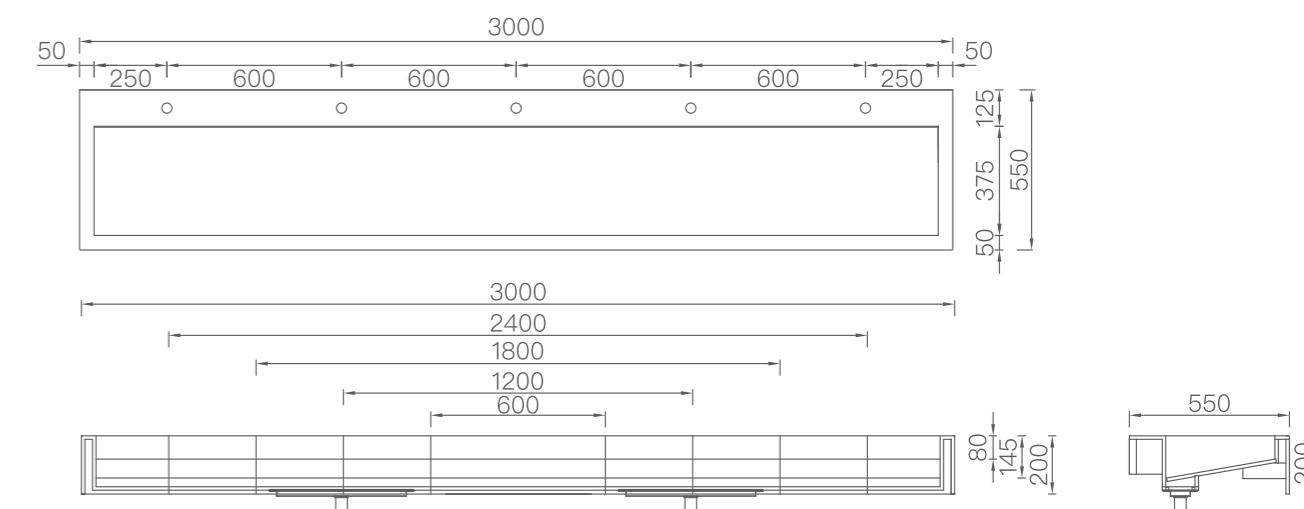
- 1 – Person (3211) 600 x 550mm (34kg)
- 2 – Person (3212) 1200 x 550mm (53kg)
- 3 – Person (3213) 1800 x 550mm (72kg)
- 4 – Person (3214) 2400 x 550mm (91kg)
- 5 – Person (3215) 3000 x 550mm (110kg)

Brackets and fittings for wall-hung installation all included

Dyson Airblade Tap hand dryer compatibility

AB09 – Tap hole to be drilled by installer on site according to the installation guidelines

AB11



Model 3144

Washplane

External dimensions

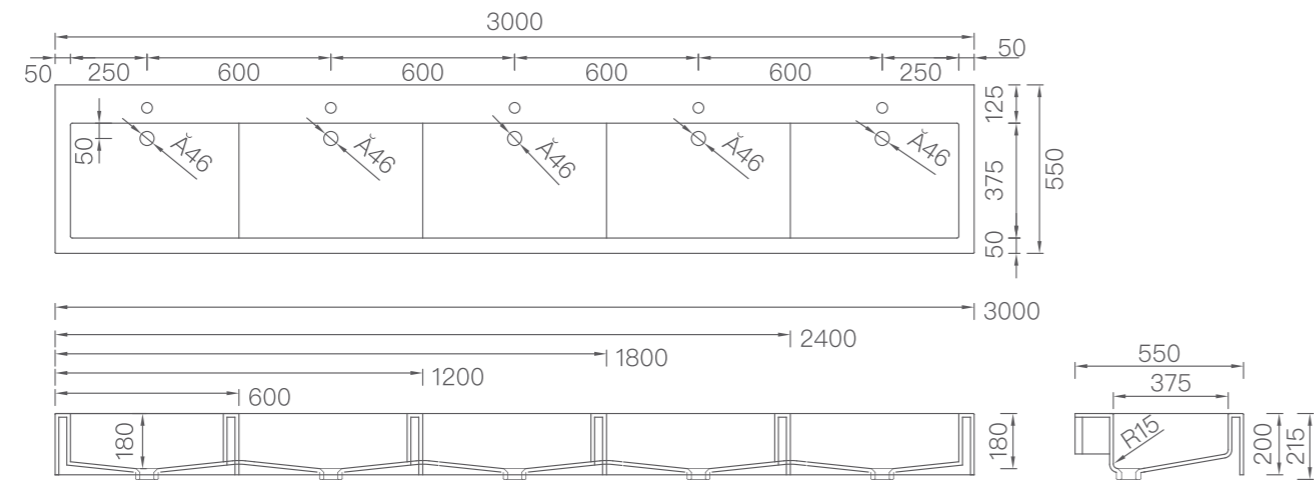
- 1 – Person (3141) 600 x 550mm (31kg)
- 2 – Person (3142) 1200 x 550mm (47kg)
- 3 – Person (3143) 1800 x 550mm (63kg)
- 4 – Person (3144) 2400 x 550mm (79kg)
- 5 – Person (3145) 3000 x 550mm (94kg)

Wastes, brackets and fittings for wall-hung installation all included

Dyson Airblade Tap hand dryer compatibility

AB09 – Tap hole to be drilled by installer on site according to the installation guidelines

AB11



The Bathroom Solution

Corian® Basins & Washplanes

dyson airblade tap